



FOR CONTINUATION REFER PART SITE PLAN - AREA B

PART SITE PLAN - AREA A (1:500 AT A1)

PART SITE PLAN - AREA B (1:500 AT A1)

LEGEND

- EXISTING PACKAGE SUBSTATION.
- EXISTING URD DIST. PILLAR.
- EXISTING URD DIST. PILLAR REPLACED WITH NEW FUSED TYPE - DOUBLE LINK.
- NEW FUSED TYPE DIST. PILLAR - DOUBLE LINK TYPE.
- NEW FUSED TYPE DIST. PILLAR - LINK TYPE.
- NEW FUSED TYPE DIST. PILLAR.
- NEW ROAD OWNER DIST. PILLAR.
- EXISTING LV DIST. CABLING.
- NEW LV DIST. CABLING - 0.6/1kV 4x1C 240 Sq mm Al, XLPE/NJ/PVC & 1x1C 70 Sq mm Cu, BARE EARTH.
- NEW LV SERVICE CABLE - 0.6/1kV 2x1C 25 Sq mm Cu, XLPE/NJ/PVC IN 50mm HD uPVC CONDUIT.

DEVELOPER:

AGA CONSULTING ENGINEERS PTY LTD
ELECTRICAL & MECHANICAL
AON 010 242 296

GPO BOX 3097
DARWIN NT 0801

TELEPHONE: 08 894 6582
FACSIMILE: 08 894 2148
EMAIL: aiek@agaeng.com.au

NO	DESCRIPTION	DRN	DATE	APPD	DRG NO	TITLE
B A	RE-ISSUED FOR REVIEW ISSUED FOR REVIEW	K.T. K.T.	24-8-23 15-8-22	A.G. A.G.	SKE03 SKE02	SINGLE LINE DIAGRAM CONCEPT LV ELECTRICAL RETICULATION CONCEPT (SHEET 2 OF 2)
AMENDMENTS						
ASSOCIATED DRAWINGS						

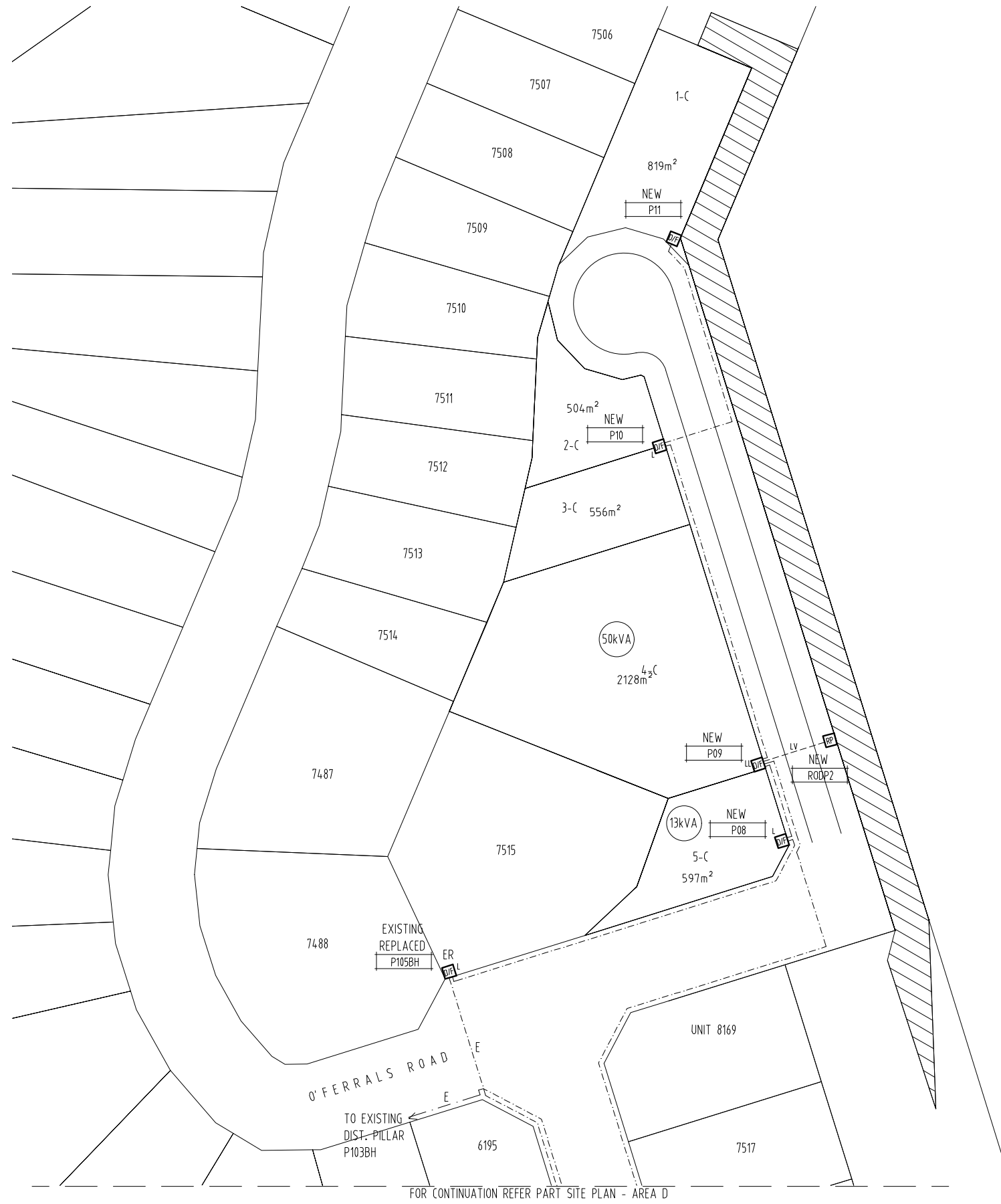
DRAWING STATUS	APPD	DATE
P PRELIMINARY/PROPOSED		
T TENDERING PURPOSES ONLY		
AC APP. FOR CONSTRUCTION		
AI AS INSTALLED		
C CANCELLED/SUPERSEDED		

AGA469-2A

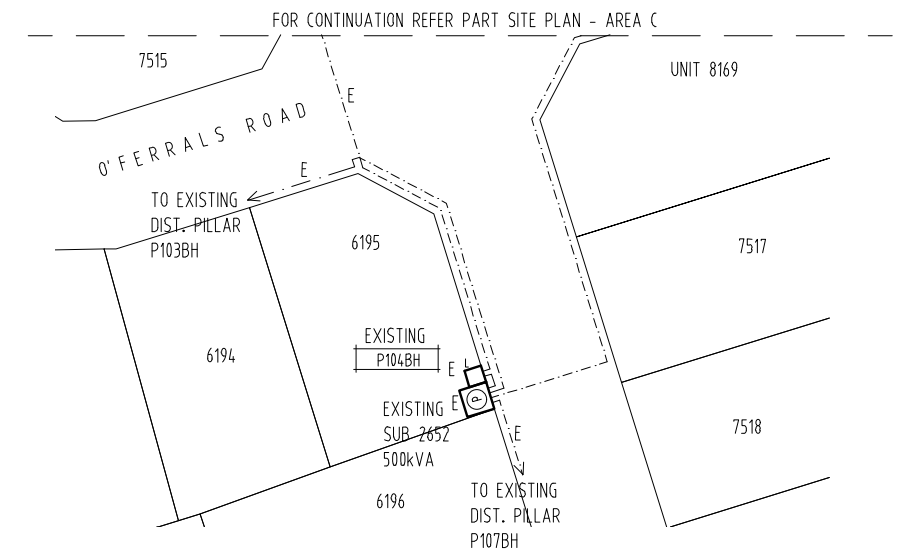


DES A.GANGUR	POWER SERVICES - DARWIN DISTRIBUTION BAYVIEW LV ELECTRICAL RETICULATION CONCEPT (SHEET 1 OF 2)	
DRN K.TAVENER		
CKD A.GANGUR		
APPD		
SCALE 1:500 AT A1		
ISSUED 24-8-23	A1	DRAWING NUMBER SKE01
ALL DIM. IN mm		
DRAFTING STANDARD TO A.S.1100	FILE No:	



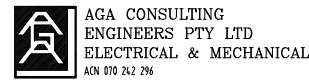


PART SITE PLAN - AREA C (1:500 AT A1)



PART SITE PLAN - AREA D (1:500 AT A1)

DEVELOPER:



GPO BOX 3097
DARWIN NT 0801

TELEPHONE: 08 894 6582
FACSIMILE: 08 894 2140
EMAIL: aiek@agang.com.au

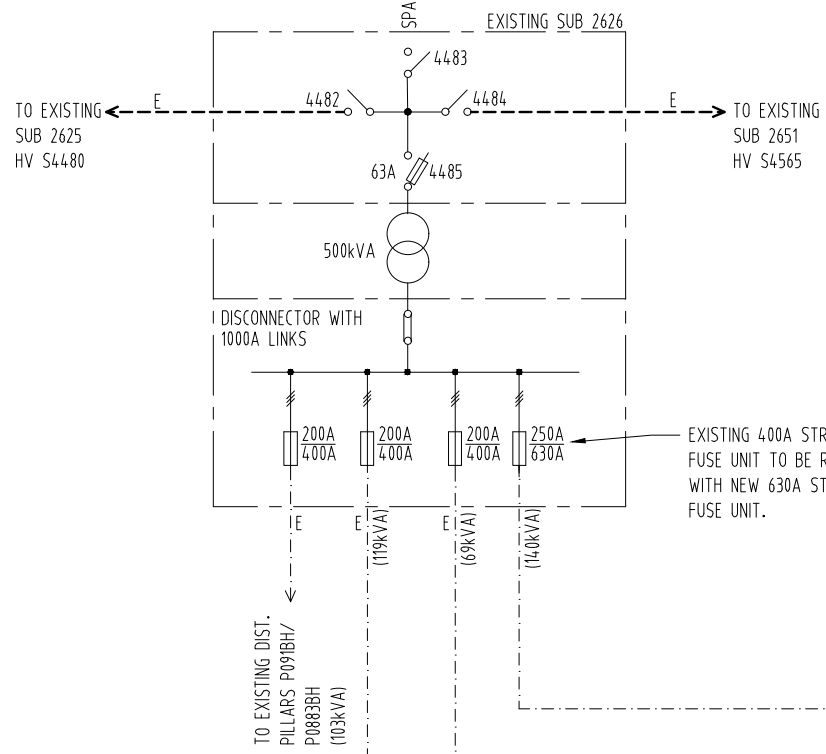
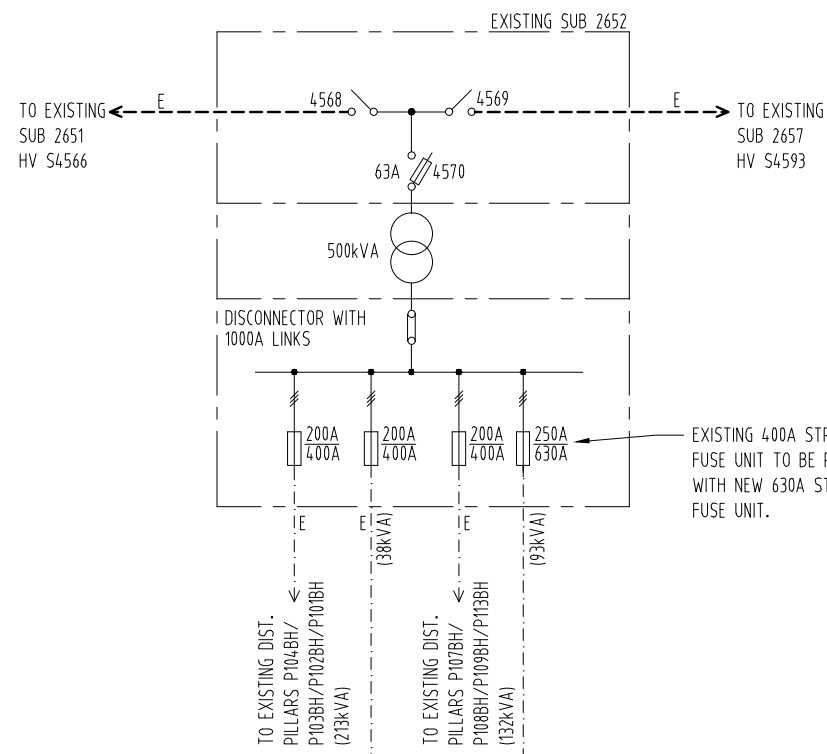
NO	DESCRIPTION	DRN	DATE	APPD	DRG NO	TITLE
B A	RE-ISSUED FOR REVIEW ISSUED FOR REVIEW		K.T. 24-8-23 15-8-22	A.G.	SKE#3 SKE#1	SINGLE LINE DIAGRAM CONCEPT LV ELECTRICAL RETICULATION CONCEPT (SHEET 1 OF 2)
AMENDMENTS						
ASSOCIATED DRAWINGS						

DRAWING STATUS	APPD	DATE
P PRELIMINARY/PROPOSED		
T TENDERING PURPOSES ONLY		
AC APP. FOR CONSTRUCTION		
AI AS INSTALLED		
C CANCELLED/SUPERSEDED		
AGA469-2A		



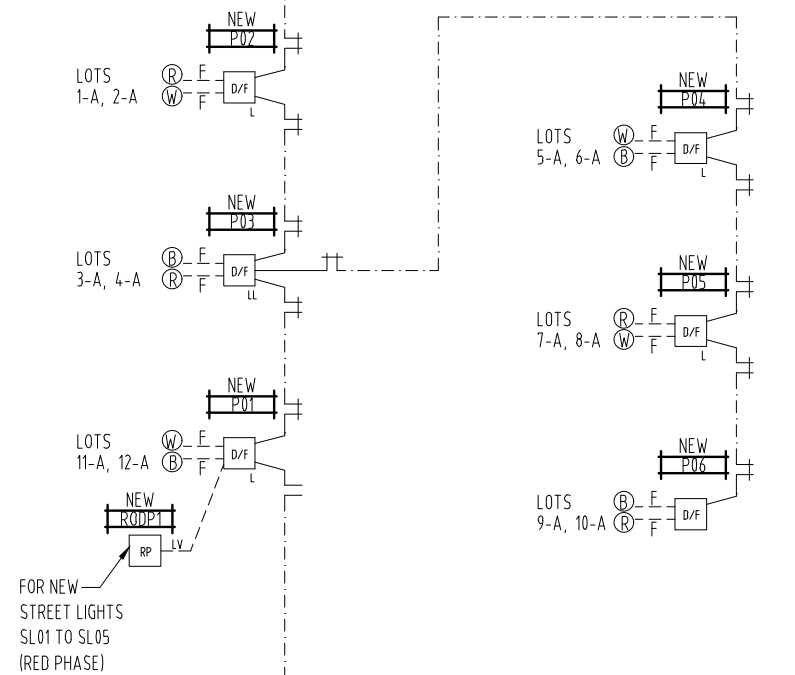
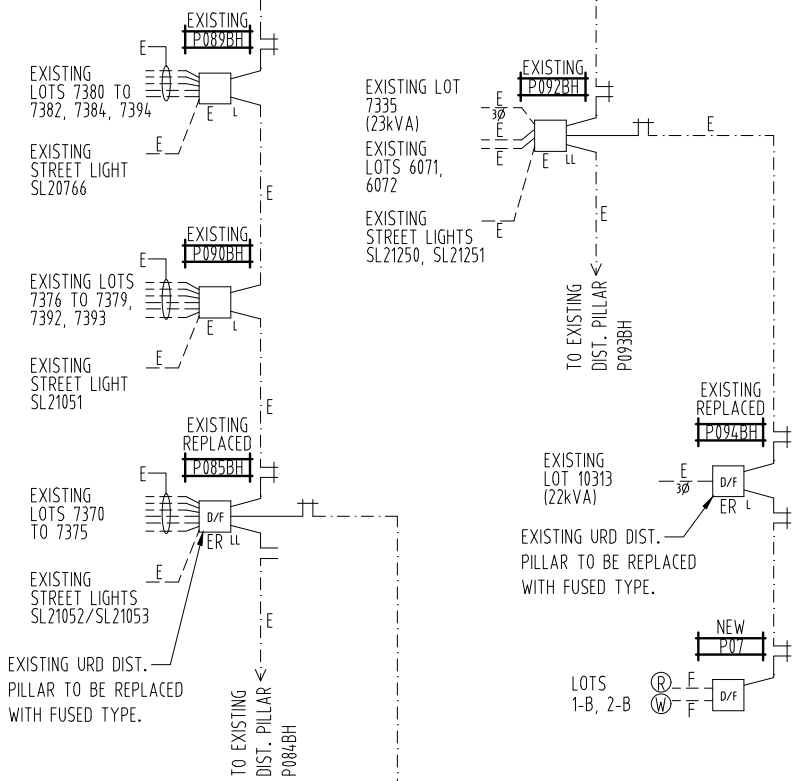
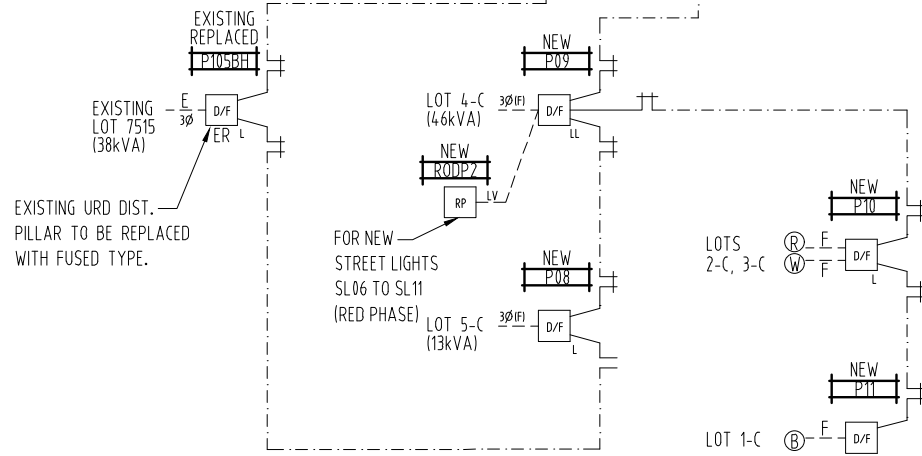
DES A.GANGUR	POWER SERVICES - DARWIN DISTRIBUTION	
DRN K.TAVENER	BAYVIEW	
CKD A.GANGUR	LV ELECTRICAL RETICULATION CONCEPT	
APPD	(SHEET 2 OF 2)	
SCALE 1:500 AT A1	A1	DRAWING NUMBER SKE02
ISSUED 24-8-23		
ALL DIM. IN mm	FILE No:	
DRAFTING STANDARD TO A.S.1100		





LEGEND

- HV SWITCH.
- HV FUSED SWITCH.
- LV STRIPPLE FUSES.
- SUB DISCONNECTER WITH LINKS.
- DIST. LINK PILLAR OPEN LINKS.
- DIST. LINK PILLAR CLOSED LINKS.
- EXISTING HV CABLE - 6.35/11kV 3x1C 240 Sq mm Al (WATER BLOCKED), XLPE/WBT/SCN/HDPE/NJ/PVC (IN HD uPVC CONDUIT) & 1x1C 70 Sq mm Cu, BARE EARTH DIRECT BURIED.
- NEW LV DISTRIBUTION CABLE - 0.6/1kV 4x1C 240 Sq mm Al, XLPE/NJ/PVC - DIRECT BURIED (OR WITHIN CONDUIT AT ROAD CROSSING) & 1x1C 70 Sq mm Cu, BARE EARTH - DIRECT BURIED.
- NOTE: WHERE COMMON HV/LV TRENCH USED; ONLY ONE OFF 1x1C 70 Sq mm Cu, BARE EARTH SHALL BE USED.
- 'E' INDICATES EXISTING.
- EXISTING 3 PHASE LV CABLING.
- FUTURE 3 PHASE LV CABLING.
- NEW LV SERVICE CABLE (SUPPLY TO ROAD OWNER DIST. PILLAR) - 0.6/1kV 2x1C 25 Sq mm Cu, XLPE/NJ/PVC IN CONDUIT.
- FUTURE LV SERVICE CABLE - BY LOT OWNER.



SINGLE LINE DIAGRAM (N.T.S.)

DEVELOPER:	<p>AGA CONSULTING ENGINEERS PTY LTD ELECTRICAL & MECHANICAL AON 010 242 296</p>	<p>B A RE-ISSUED FOR REVIEW ISSUED FOR REVIEW</p>	<p>K.T. 24-8-23 K.T. 15-8-22</p>	<p>A.G. SKE2 A.G. SKE1</p>	<p>LV ELECTRICAL RETICULATION CONCEPT (SHEET 2 OF 2) LV ELECTRICAL RETICULATION CONCEPT (SHEET 1 OF 2)</p>	DRAWING STATUS		APPD	DATE	DES A.GANGUR	DRN K.TAVENER	<p>POWER SERVICES – DARWIN DISTRIBUTION BAYVIEW SINGLE LINE DIAGRAM CONCEPT</p>		<p>APPD</p>	<p>SCALE N.T.S.</p>	<p>ISSUED 24-8-23</p>	<p>ALL DIM. IN mm</p>	<p>A1 DRAWING NUMBER SKE03</p>	
						P PRELIMINARY/PROPOSED	T TENDERING PURPOSES ONLY												
GPO BOX 3097 DARWIN NT 0801		TELEPHONE: 08 894 6582 FACSIMILE: 08 894 2140 EMAIL: aiek@agangur.com.au		NO	DESCRIPTION	DRN	DATE	APPD	DRG NO	TITLE	AMENDMENTS		ASSOCIATED DRAWINGS		<p>PowerWater NORTHERN TERRITORY</p>		<p>DRAFTING STANDARD TO A.S.1100</p>	<p>FILE No:</p>	<p>AMDT</p>