



FOR CONTINUATION REFER PART SITE PLAN - AREA B

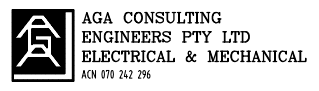
PART SITE PLAN - AREA A (1:500 AT A1)

PART SITE PLAN - AREA B (1:500 AT A1)

LEGEND

- EXISTING PACKAGE SUBSTATION.
- EXISTING URD DIST. PILLAR.
- EXISTING URD DIST. PILLAR REPLACED WITH NEW FUSED TYPE - DOUBLE LINK.
- NEW FUSED TYPE DIST. PILLAR - DOUBLE LINK TYPE.
- NEW FUSED TYPE DIST. PILLAR - LINK TYPE.
- NEW FUSED TYPE DIST. PILLAR.
- NEW ROAD OWNER DIST. PILLAR.
- EXISTING LV DIST. CABLING.
- NEW LV DIST. CABLING - 0.6/1kV 4x1C 240 Sq mm Al, XLPE/NJ/PVC & 1x1C 70 Sq mm Cu, BARE EARTH.
- NEW LV SERVICE CABLE - 0.6/1kV 2x1C 25 Sq mm Cu, XLPE/NJ/PVC IN 50mm HD uPVC CONDUIT.

DEVELOPER:
GPO BOX 3097
DARWIN NT 0801



TELEPHONE: 08 89416582
FACSIMILE: 08 89421400
EMAIL: aiek@agaeng.com.au

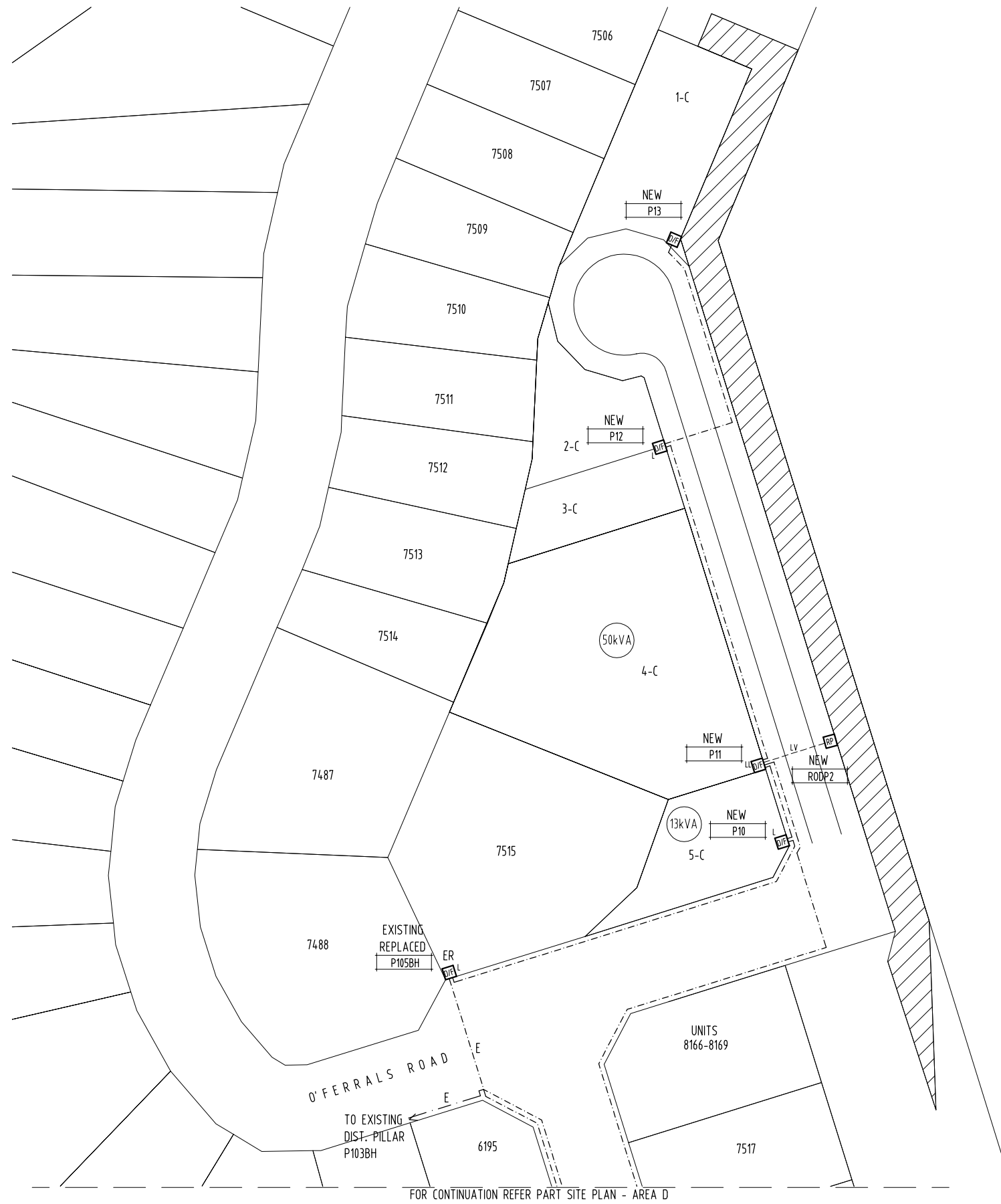
NO	DESCRIPTION	DRN	DATE	APPD	DRG NO	TITLE
A	ISSUED FOR REVIEW	K.T.	15-8-22	A.G.	SKE03 SKE02	SINGLE LINE DIAGRAM CONCEPT LV ELECTRICAL RETICULATION CONCEPT (SHEET 2 OF 2)
AMENDMENTS						
ASSOCIATED DRAWINGS						

DRAWING STATUS	APPD	DATE
P PRELIMINARY/PROPOSED		
T TENDERING PURPOSES ONLY		
AC APP. FOR CONSTRUCTION		
AI AS INSTALLED		
C CANCELLED/SUPERSEDED		

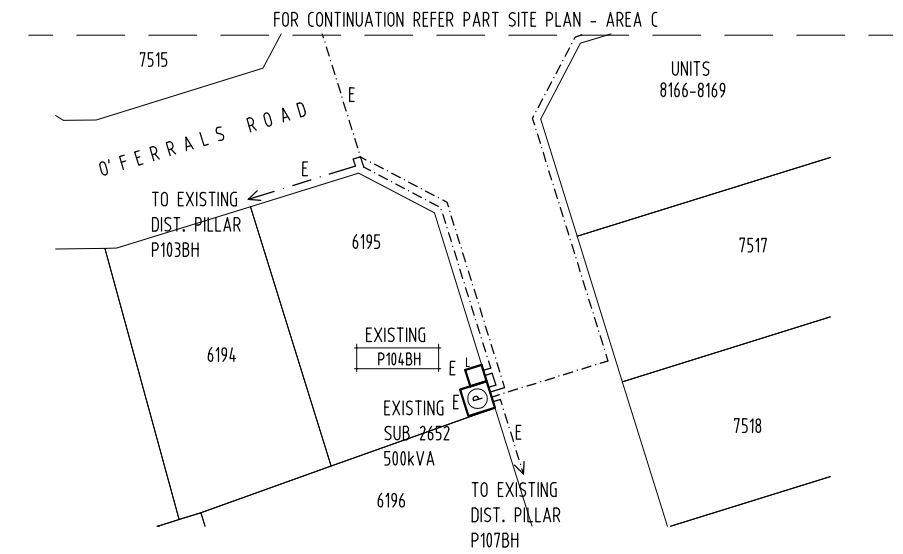


DES A.GANGUR	POWER SERVICES - DARWIN DISTRIBUTION BAYVIEW LV ELECTRICAL RETICULATION CONCEPT (SHEET 1 OF 2)
DRN K.TAVENER	
CKD A.GANGUR	
APPD	
SCALE 1:500 AT A1	
ISSUED 15-8-22	A1 DRAWING NUMBER SKE01
ALL DIM. IN mm	
DRAFTING STANDARD TO A.S.1100	FILE No:





PART SITE PLAN - AREA C (1:500 AT A1)



PART SITE PLAN - AREA D (1:500 AT A1)

DEVELOPER:



GPO BOX 3097
DARWIN NT 0801

TELEPHONE: 08 89416582
FACSIMILE: 08 89421400
EMAIL: alik@agaeng.com.au

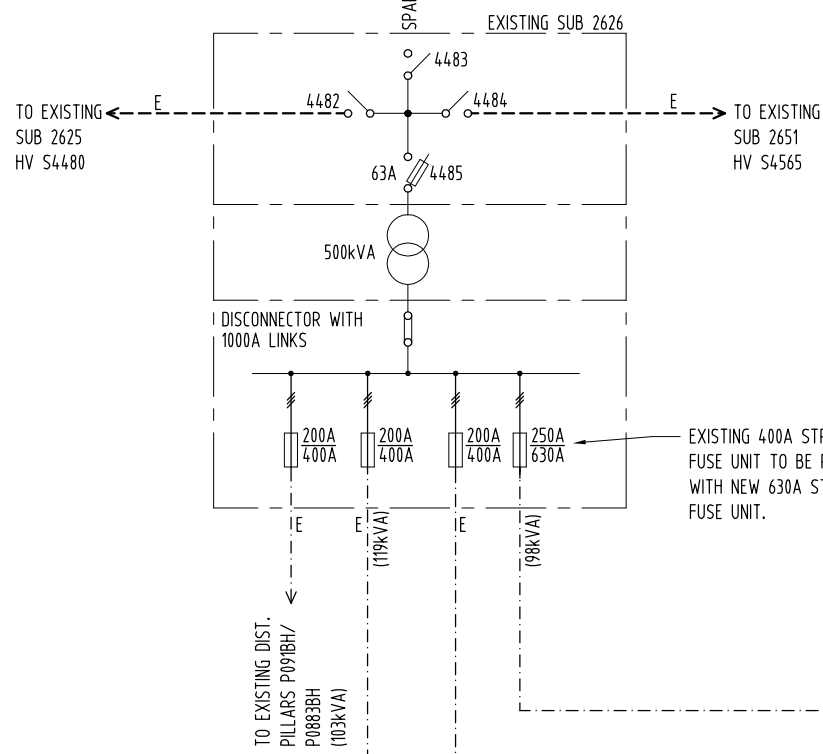
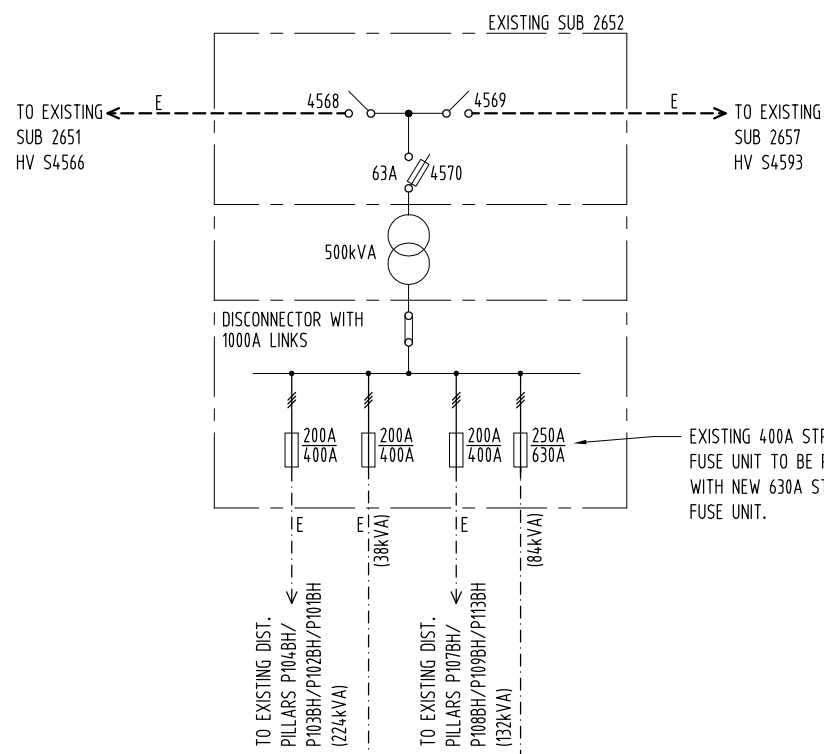
NO	DESCRIPTION	DRN	DATE	APPD	DRG NO	TITLE
A	ISSUED FOR REVIEW	K.T.	15-8-22	A.G.	SKE03 SKE01	SINGLE LINE DIAGRAM CONCEPT LV ELECTRICAL RETICULATION CONCEPT (SHEET 1 OF 2)
AMENDMENTS						
ASSOCIATED DRAWINGS						

DRAWING STATUS	APPD	DATE
P PRELIMINARY/PROPOSED		
T TENDERING PURPOSES ONLY		
AC APP. FOR CONSTRUCTION		
AI AS INSTALLED		
C CANCELLED/SUPERSEDED		
AGA469-2A		



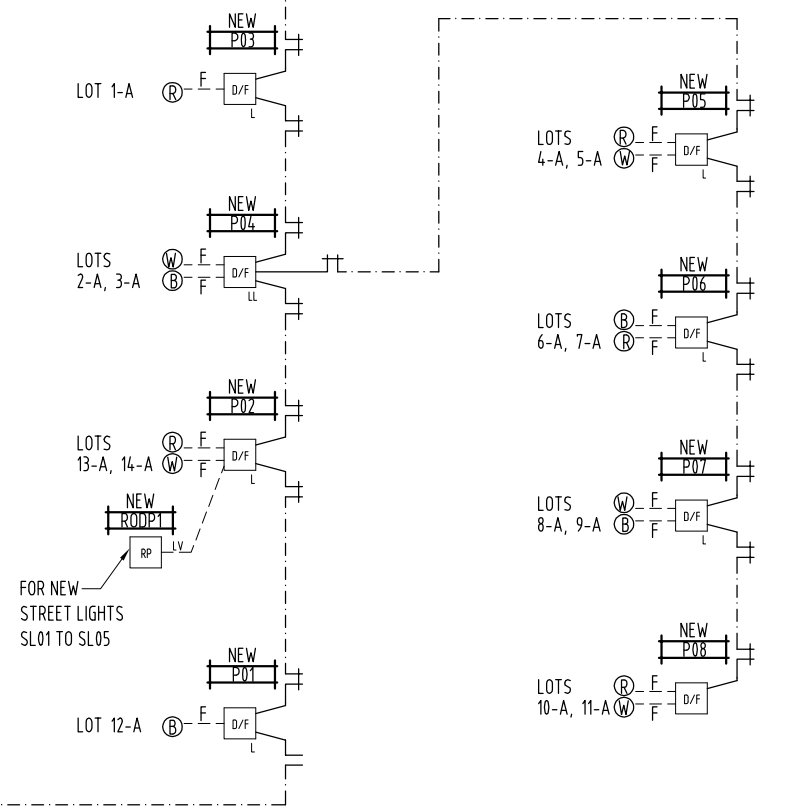
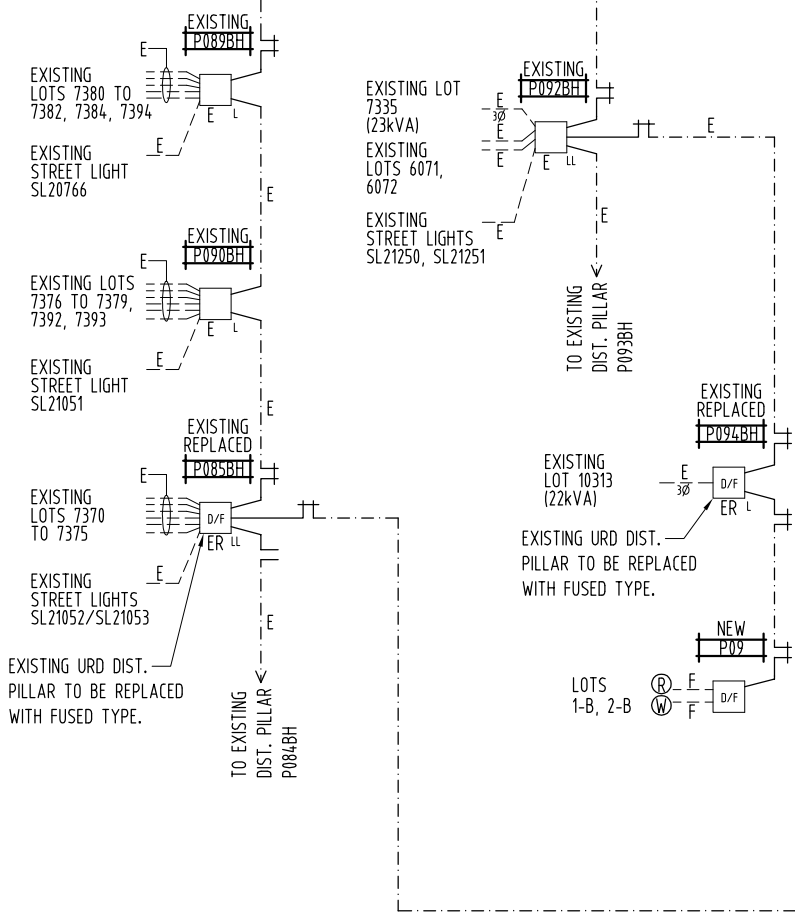
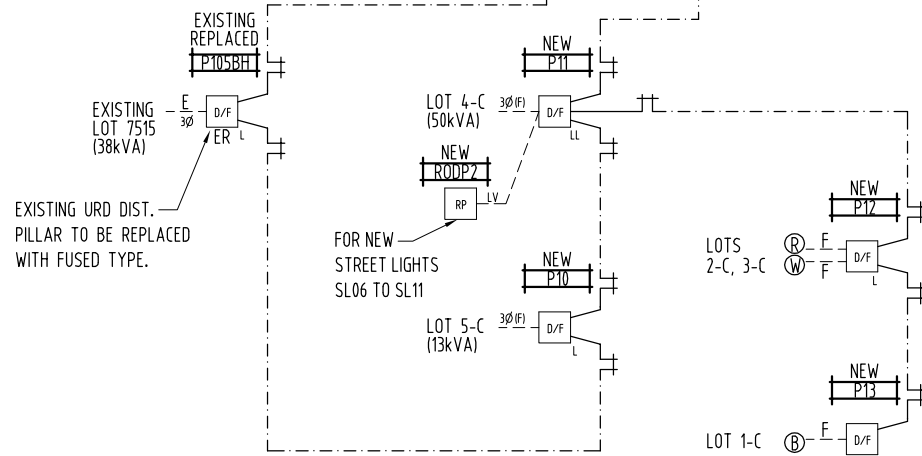
DES	A.GANGUR	POWER SERVICES - DARWIN DISTRIBUTION BAYVIEW LV ELECTRICAL RETICULATION CONCEPT (SHEET 2 OF 2)
DRN	K.TAVENER	
CKD	A.GANGUR	
APPD		
SCALE	1:500 AT A1	
ISSUED	15-8-22	A1 DRAWING NUMBER SKE02
ALL DIM. IN	mm	
DRAFTING STANDARD TO	A.S.1100	FILE No:





LEGEND

- HV SWITCH.
- HV FUSED SWITCH.
- LV STRIPPLE FUSES.
- SUB DISCONNECTOR WITH LINKS.
- DIST. LINK PILLAR OPEN LINKS.
- DIST. LINK PILLAR CLOSED LINKS.
- EXISTING HV CABLE - 6.35/11kV 3x1C 240 Sq mm Al (WATER BLOCKED), XLPE/WBT/SCN/HDPE/NJ/PVC (IN HD uPVC CONDUIT) & 1x1C 70 Sq mm Cu, BARE EARTH DIRECT BURIED.
- NEW LV DISTRIBUTION CABLE - 0.6/1kV 4x1C 240 Sq mm Al, XLPE/NJ/PVC - DIRECT BURIED (OR WITHIN CONDUIT AT ROAD CROSSING) & 1x1C 70 Sq mm Cu, BARE EARTH - DIRECT BURIED.
- NOTE: WHERE COMMON HV/LV TRENCH USED; ONLY ONE OFF 1x1C 70 Sq mm Cu, BARE EARTH SHALL BE USED.
- 'E' INDICATES EXISTING.
- EXISTING 3 PHASE LV CABLING.
- FUTURE 3 PHASE LV CABLING.
- NEW LV SERVICE CABLE (SUPPLY TO ROAD OWNER DIST. PILLAR) - 0.6/1kV 2x1C 25 Sq mm Cu, XLPE/NJ/PVC IN CONDUIT.
- FUTURE LV SERVICE CABLE - BY LOT OWNER.



SINGLE LINE DIAGRAM (N.T.S.)

DEVELOPER: AGA CONSULTING ENGINEERS PTY LTD ELECTRICAL & MECHANICAL ACN 070 242 296	DRAWING STATUS				APPD	DATE	DES A.GANGUR DRN K.TAVENER CKD A.GANGUR APPD SCALE N.T.S. ISSUED 15-8-22 ALL DIM. IN mm DRAFTING STANDARD TO A.S.1100	POWER SERVICES - DARWIN DISTRIBUTION BAYVIEW SINGLE LINE DIAGRAM CONCEPT		A1 DRAWING NUMBER SKE03 FILE No:	
	A	ISSUED FOR REVIEW	K.T.	15-8-22	A.G.	SKE02 SKE01		LV ELECTRICAL RETICULATION CONCEPT (SHEET 2 OF 2) LV ELECTRICAL RETICULATION CONCEPT (SHEET 1 OF 2)	AG4469-2A		
GPO BOX 3097 DARWIN NT 0801	TELEPHONE: 08 89416582 FACSIMILE: 08 89421400 EMAIL: aieg@agaeng.com.au	NO	DESCRIPTION	DRN	DATE	APPD	DRG NO	TITLE	ASSOCIATED DRAWINGS		
AMENDMENTS											

