



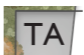
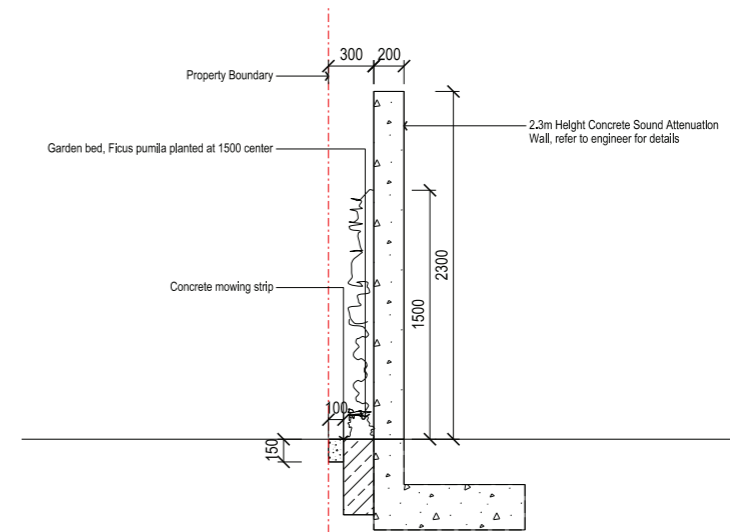




LEGEND

-  STREET TREES
-  SOUND ATTENUATION WALL
REFER TO DETAIL SECTION BELOW
-  1.5m WIDE FOOTPATH
-  2.5m WIDE SHARED PATH
-  TA
TURNAROUND AREA FOR VEHICLES
IN STAGE I



SOUND ATTENUATION WALL DETAIL SECTION 1:50@A3

TREE SPECIES

Key	Species	Species	Pot Size	Street	Park	Mature Height	Mature Spread
AS	<i>Albizea saman</i>	Rain Tree	25Lt	-	Y	12-18m	12m
AA	<i>Alstonia actinophylla</i>	Milkwood	25Lt	Y	Y	10-20m	10m
AE	<i>Alphitonia excelsa</i>	Red Ash	25Lt	-	Y	10-20m	10m
AT	<i>Allosyncarpia ternata</i>	Allosyncarpia	25Lt	Y	Y	15-30m	10m
CB	<i>Corymbia bella</i>	-	25Lt	-	Y	8-15m	8m
EB	<i>Eucalyptus foelscheana</i>	Salmon Gum	25Lt	-	Y	10-18m	10m
GF	<i>Ganophyllum falcatum</i>	-	25Lt	-	Y	8-12m	8m
HT	<i>Hibiscus tiliaceus rubra</i>	Red Cottonwood	25Lt	-	Y	5-8m	5-8m
MC	<i>Maranthes corymbosa</i>	Maranthes	25Lt	Y	Y	10-25m	10m
ML	<i>Melaleuca leucadendra</i>	Weeping Paperbark	25Lt	Y	-	10-30m	8m
SA	<i>Syzygium armstrongii</i>	White Bush Apple	25Lt	Y	-	8-10m	8m
SN	<i>Syzygium suborbiculare</i>	Red Bush Apple	25Lt	-	Y	15-20m	10m



1:1500 @A3



MARRARA GARDENS • MARRARA NT

LANDSCAPE MASTERPLAN

D22-0003 Sk I

08-03-22 Issue: C

